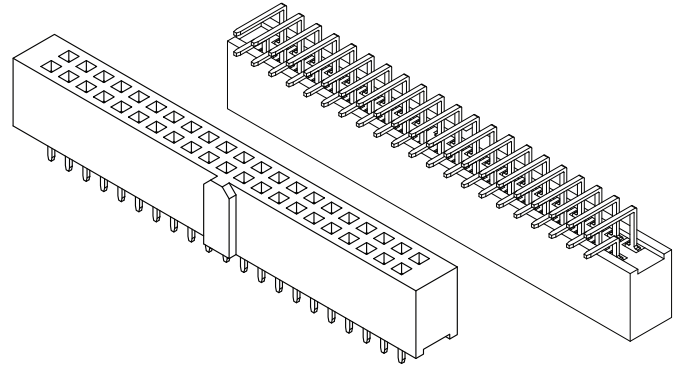




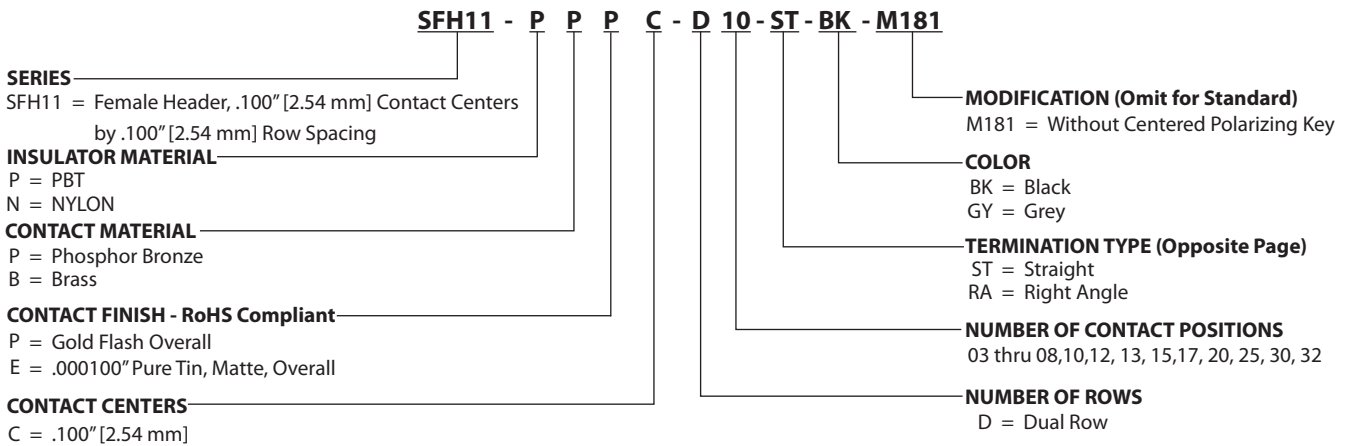
.100" [2.54 mm] Contact Centers, Female Headers, Straight/Right Angle - SFH11 Series Mates with SBH11 series (See opposite page)

SPECIFICATIONS

- Centered Polarizing Key Optional
- Operating Temperature: -40°C to +105°C
- Processing Temperature: 230°C Max. for 60 seconds (260°C Max. for 10 seconds)
- UL Flammability Rating: 94V-0
- Contact Resistance: 20 milli Ohms Max.
- Current Rating: 3 Amps
- Dielectric Withstanding: 1000 VAC
- Insulation Resistance: 5000 Megohms Min.



PART NUMBER OPTIONS



DIMENSIONS For complete drawings, go to www.sullinscorp.com or e-mail techsupport@sullinscorp.com

Dimensions in [] are in millimeters, all others are in inches.

