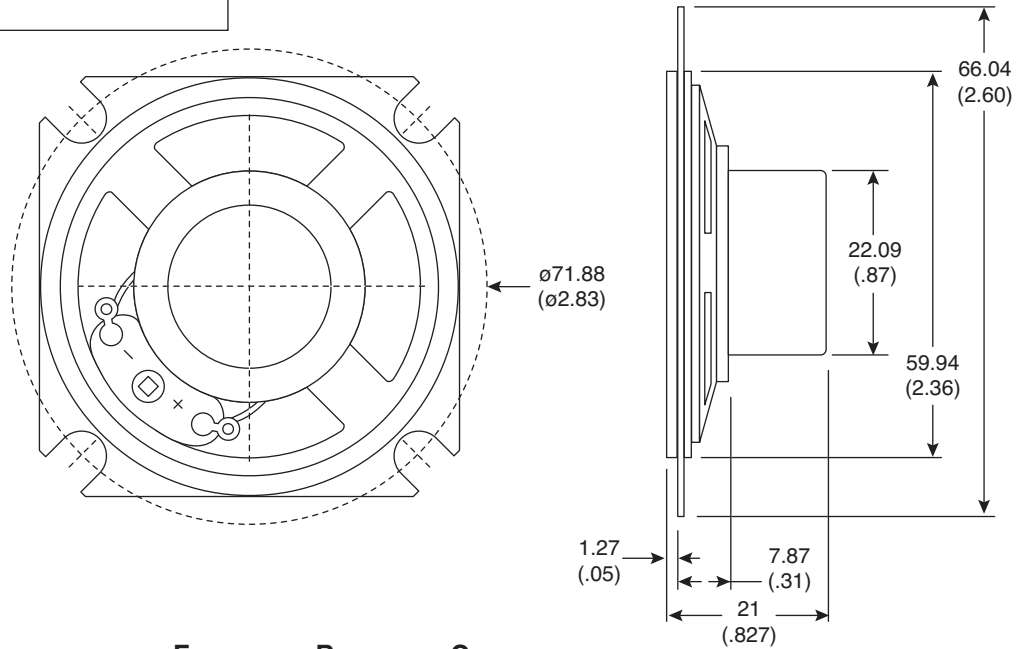
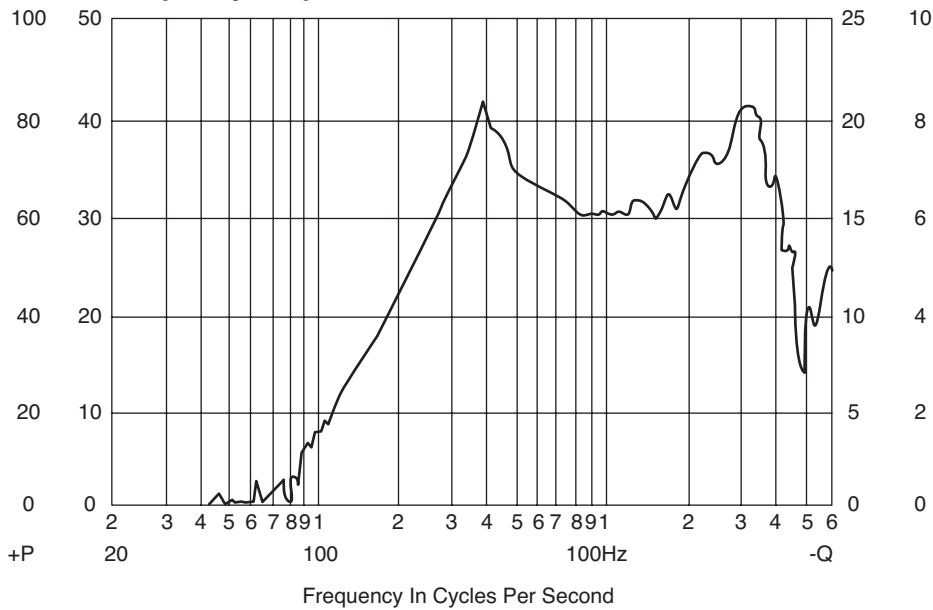


Part Number:

25SP105



Frequency Response Curve



Speaker

KT-400056

Electrical Specifications:

- Impedance: $8\Omega \pm 15\%$
- Rated power: 0.3W
- Max power: 0.6W
- Resonant frequency: $350\text{Hz} \pm 50\text{Hz}$
- Frequency response: 350-4KHz
- Distortion: 10% max 600Hz, 0.3W

Material:

- Magnet: Alnico

Mouser Electronics

Authorized Distributor

Click to View Pricing, Inventory, Delivery & Lifecycle Information:

[Kobitone:](#)

[25SP105](#)