

Photoconductive Cells CdS

P/N: CDS002-9001

■ Features

- Epoxy Encapsulated.
- Small Dimensions.
- Operating Temperature $-25^{\circ}\text{C} \sim +75^{\circ}\text{C}$.

■ Applications

- Contrast Control in TV Sets.
- Auto Flash for Cameras.
- Room Light Control.
- Electronic Toys.
- Industrial Controls.

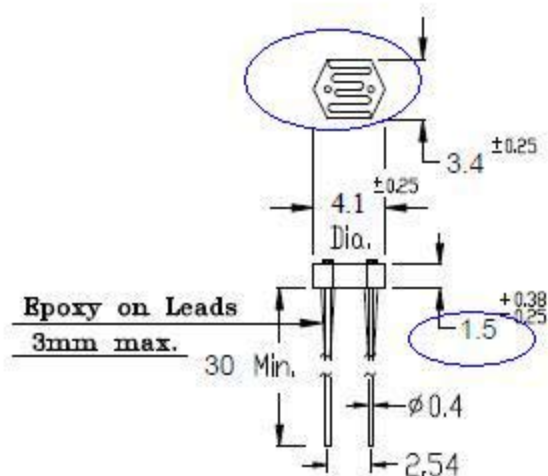
■ Absolute Maximum Ratings

Parameter	Symbol	Rating	Units
Continuous power dissipation derate above 25°C	Pd	125	mW
Maximum Voltage	Vmax	150	Vpeak
Temperature range (Operating and Storage)	Ta	$-25 \sim +75$	$^{\circ}\text{C}$

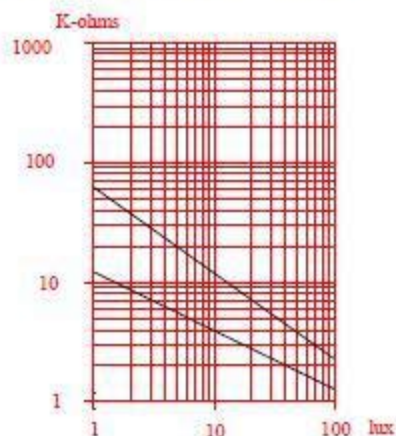
■ Electrical Characteristics (at 25°C)

Parameter	Symbol	Min.	Typ.	Max.	Units
Resistance @ 10 Lux, 2850 K	R _L	4		11	K Ω
Dark Resistance (10 sec. after removal of 10 Lux)	R _D	0.3			M Ω
Sensitivity $\frac{\text{Log}(R_{\text{D}}/R_{\text{L}})}{\text{Log}(100/10)}$	γ		0.65		
Peak Spectral Response	λ		570		nm

■ Dimensional Outline (Unit: mm)



■ Typical Resistance vs. Variable Illumination



Released	Approved	Checked	Drawn	REVISION
				D Mar 31, 2011