

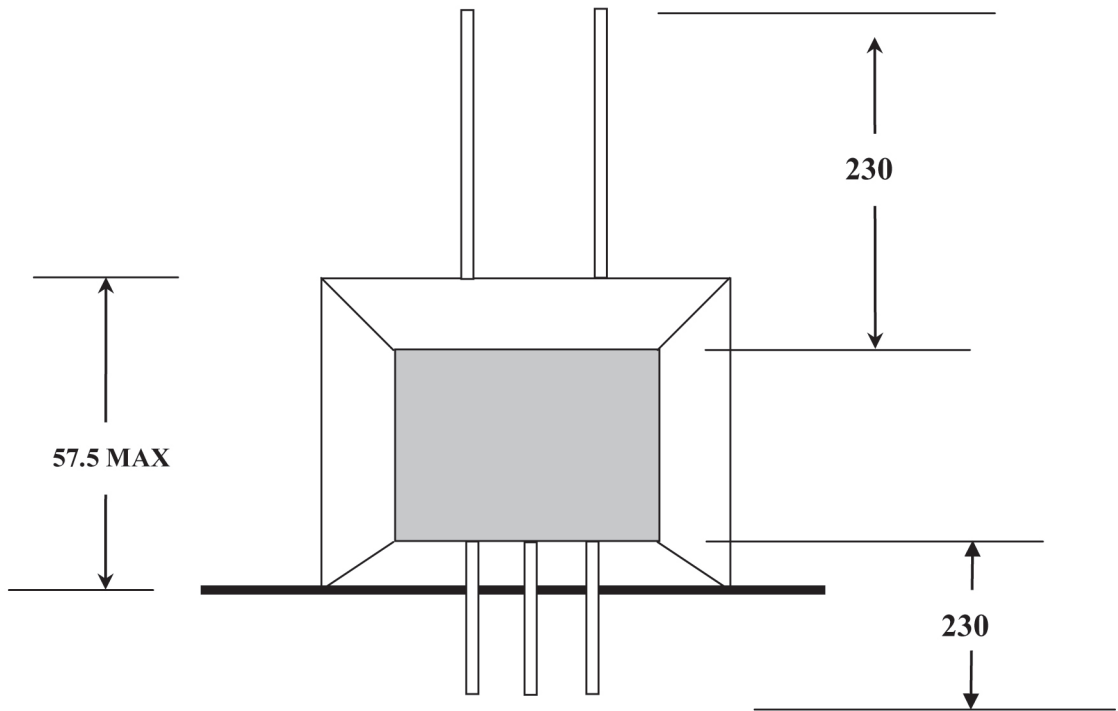
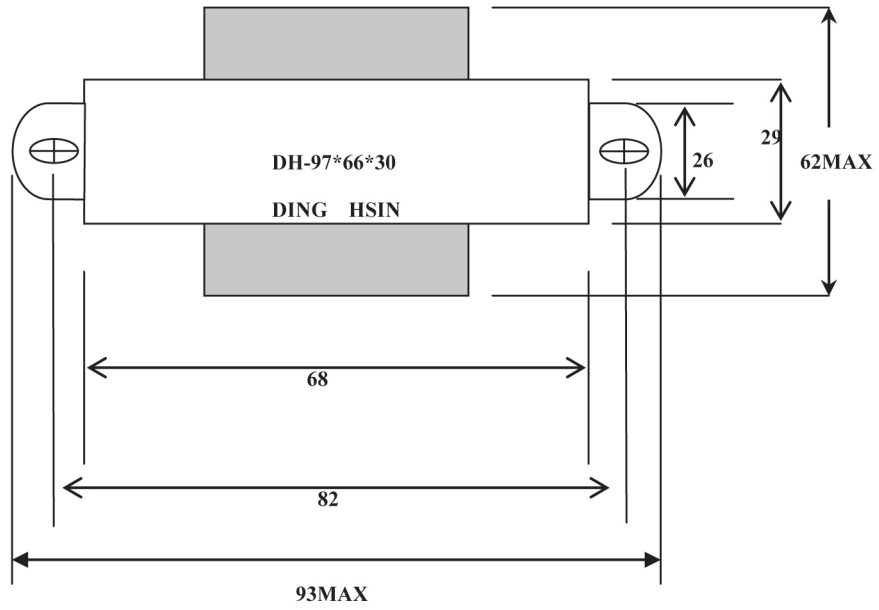
MATERIAL LIST :

NO	Material	
1	BOBBIN	NYLON
2	SILICON	H 50
3	WIRE	2UEW 130°C
4	TAPE	
5	PAPER	0.25 mm
6	PVC	1015*20AGW
7	PVC	1015*20AGW
8	L	
9		

**GOLDSUN ELECTRONICS CO., LTD.**

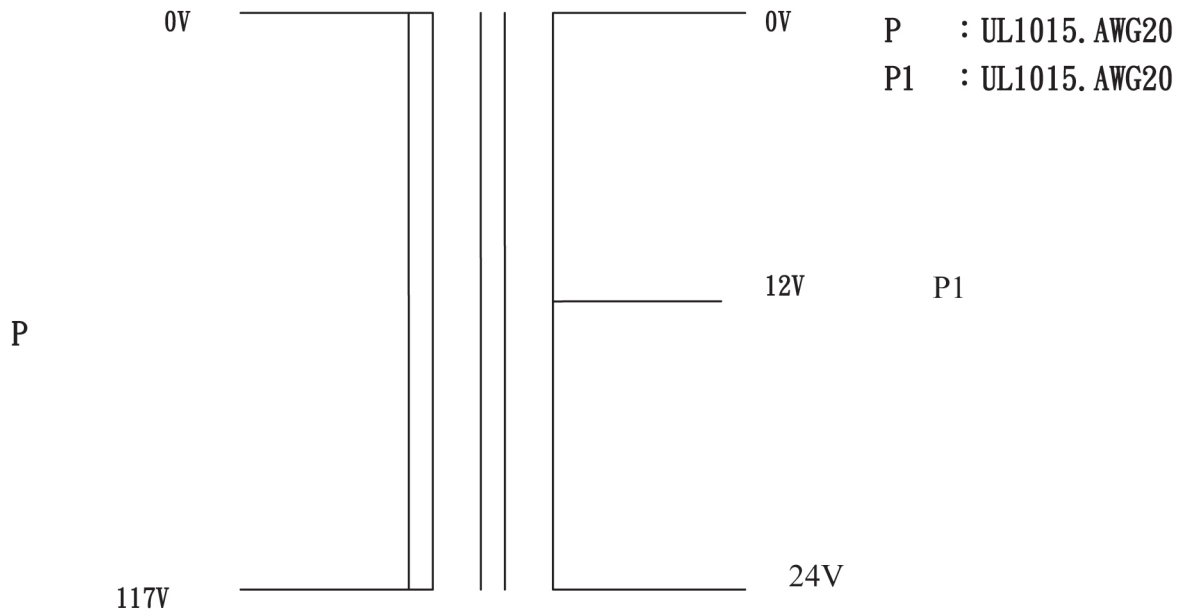
JAMECO NO. <b>221373</b>		GOLDSUN NO. <b>P-8662-ROHS STYLE A</b>	
Description <b>POWER TRANSFORMER I/P: 115VAC O/P:24VAC 2.0A WITH LEADS</b>			Rev. <b>1</b>
UNIT: mm	SCALE:	SHEET 1 OF 1	CAS No: ERN No:

一、Size :



**GOLDSUN ELECTRONICS CO., LTD.**

JAMECO NO. <b>221373</b>		GOLDSUN NO. <b>P-8662-ROHS STYLE A</b>	
Description <b>POWER TRANSFORMER I/P: 115VAC</b> <b>O/P:24VAC 2.0A WITH LEADS</b>			Rev. <b>1</b>
UNIT: mm	SCALE:	SHEET 1 OF 1	CAS No: ERN No:



1. TYPE: Single Phase Power Transformer
2. Output capacity: 40 VA
3. Primary Voltage: 117V
4. Primary Voltage: P1 : 12V      P2 : 24V
5. Secondary current: P1 : 2A      P2 : 2A
6. Frequency : 50/60Hz
7. Time frame: continuous
8. Insulation resistance: DC500V 100MΩabove
9. Insulation endurance: AC1500V 1min 50Hz P-S
10. Temperature: Below 70deg
11. Voltage mobility rate: below 10%
12. Voltage deviation: within ±5%
13. RoHS

<b>GOLDSUN ELECTRONICS CO., LTD.</b>			
JAMECO NO. <b>221373</b>		GOLDSUN NO. <b>P-8662-ROHS STYLE A</b>	
Description POWER TRANSFORMER I/P: 115VAC O/P:24VAC 2.0A WITH LEADS			Rev. <b>1</b>
UNIT: mm	SCALE:	SHEET 1 OF 1	CAS No: ERN No: